



Q1. Choose the correct option of the given statement.

1. Which model and fraction shows the whole number, 1?

a.



b.



c.



d.



2. Which shape have 6 flat faces and 12 flat edges?

a. sphere

b. cuboid

c. cylinder

d. square

3. Which fraction is bigger ?

a. $\frac{7}{10}$

b. $\frac{5}{10}$

c. $\frac{9}{10}$

d. $\frac{4}{10}$

4. Which shape have one curved face and 2 flat faces?

a. sphere

b. cuboid

c. cylinder

d. square

5. What is the fraction of given line?



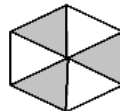
a. $\frac{3}{4}$

b. $\frac{2}{4}$

c. $\frac{1}{3}$

d. $\frac{2}{5}$

6. What is the fraction of given figure?



a. $\frac{2}{6}$

b. $\frac{5}{6}$

c. $\frac{3}{6}$

d. $\frac{4}{6}$

7. Which fraction is smaller ?

a. $\frac{5}{8}$

b. $\frac{5}{10}$

c. $\frac{5}{6}$

d. $\frac{5}{9}$

8. Identify the shape have one vertices?

a. cylinder

b. cone

c. sphere

d. cube

9. Which one of the following is unit fraction?

a. $\frac{3}{9}$

b. $\frac{3}{12}$

c. $\frac{1}{13}$

d. $\frac{2}{13}$

Identify the shape have zero vertices ?

a. cylinder

b. cone

c. cuboid

d. cube

10. How many edges are there in cuboid?

a. 8 edges

b. 18 edges

c. 12 edges

d. 6 edges

11. Choose the denominators in the fractions $\frac{9}{14}$ and $\frac{12}{23}$?

a. 9 and 12

b. 14 and 23

c. 12 and 14

d. 23 and 9

12. Which of the following is an equivalent fraction to $\frac{1}{4}$?

a. $\frac{2}{8}$

b. $\frac{3}{5}$

c. $\frac{4}{3}$

d. $\frac{1}{16}$

13. Which one of the following is like fraction?

a. $\frac{3}{9}, \frac{4}{8}$

b. $\frac{3}{6}, \frac{6}{12}$

c. $\frac{8}{19}, \frac{5}{19}$



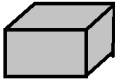




d. $\frac{2}{18}, \frac{1}{13}$

QII Fill in the blanks:

- 2D shapes are also called _____.
- The bottom number of a fraction is known as _____.
- The closed shape having three or more sides are called as _____.
- A quadrilateral has _____ sides
- $\frac{2}{6} =$ _____ out of _____ equal parts.
- $\frac{1}{5}$ and $\frac{\square}{\square}$ make 1 whole.
- In rectangle, the _____ sides are equal.
- Parts of a whole are called _____.
- _____ fractions have different denominators
- A cone has _____ faces and _____ vertices.

QIII Match the following

Column A

- $\frac{3}{4}$
- 
- 
- 
- $\frac{1}{19}, \frac{1}{9}, \frac{1}{29}$
- 
- 
- 
- 
- $\frac{2}{8}, \frac{2}{7}, \frac{2}{9}$

Column B

- Unit fraction
- Cuboid
- three - quaters
- Pentagon
- $\frac{4}{8}$
- Tiling
- Unike fraction
- Quadrilateral
- Tangrams
- $\frac{5}{8}$

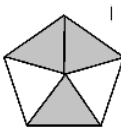
QIII. Solve the following:

1. Draw model of fraction $\frac{4}{5}$ and $\frac{3}{9}$
2. Identify the shape and write the number of faces, vertices and edges.

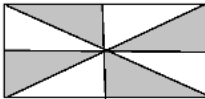


3. Write the equivalent fraction of $\frac{6}{9}$
4. What is the fraction of given figure?

a.



b.



5. Draw a small rectangle and split it into 3 equal parts. How many lines did you draw to make 3 equal parts. Write the name of each fractional unit.
6. Write the numerator and denominator of the fraction $\frac{9}{15}$

QIV. Simplify

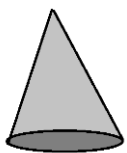
1. I have 1 curved edges, 0 vertices, and 1 curved face, who am I? Draw and name the shape.
2. I have 12 edges, 8 vertices, and 6 faces, Who am I? Draw and name the shape.
3. i) Arrange the fractions in Ascending order.

$$\frac{5}{8}, \frac{3}{8}, \frac{4}{8}$$

- ii) Arrange the fractions in Descending order.

$$\frac{4}{5}, \frac{4}{9}, \frac{4}{6}$$

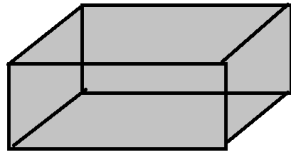
4. Identify the shape and complete the following.



- a. Faced _____
- b. Edges _____
- c. Vertices _____

- d. Name of shape _____
- e. example _____

5. Identify the shape and complete the following.



- a. Face _____
b. Edges _____
c. Vertices _____

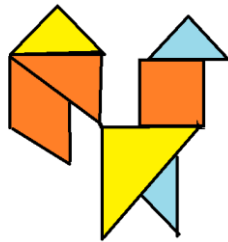
- d. Name of shape _____
e. example _____

6. Identify the type of fractions from the given fractions. (Like, Unlike or Unit)

- a. $\frac{4}{9}$, $\frac{3}{9}$, $\frac{7}{9}$
b. $\frac{1}{3}$, $\frac{1}{9}$, $\frac{1}{7}$
c. $\frac{5}{8}$, $\frac{3}{14}$, $\frac{10}{19}$

Q IV Word Problem

1. i) Sonia ate $\frac{1}{8}$ of a pizza. Her brother ate $\frac{1}{5}$ of the pizza. Who ate a larger pizza? Draw the model.
ii) Tom walked $\frac{7}{9}$ Km on Monday, $\frac{8}{9}$ km on Tuesday, and $\frac{3}{9}$ km on Wednesday. Order the distance from least to greatest. Draw the model.
2. i) Write the number of Triangle, square and quadrilateral in the given tangram.



- ii) I have no straight edges. I have 2 curve edges. I have one curve surface (face) and 2 flat faces who am I, I look like a candle? Draw that shape.
3. Ram spend one- fourth of his day playing cricket and two-fourth of his day studying. Name the activity that represent the unit fraction and write both activities as fraction.
4. Tina lives two-seventh km from the national park and Ria lives four-seventh km from the national park. Use fractions and symbols to show which distance is longer.

Subject Teacher

H.O.D

Co-Ordinator

Principal